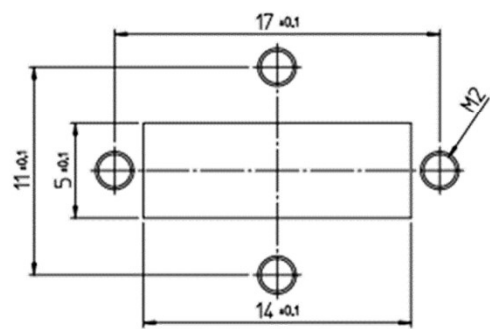
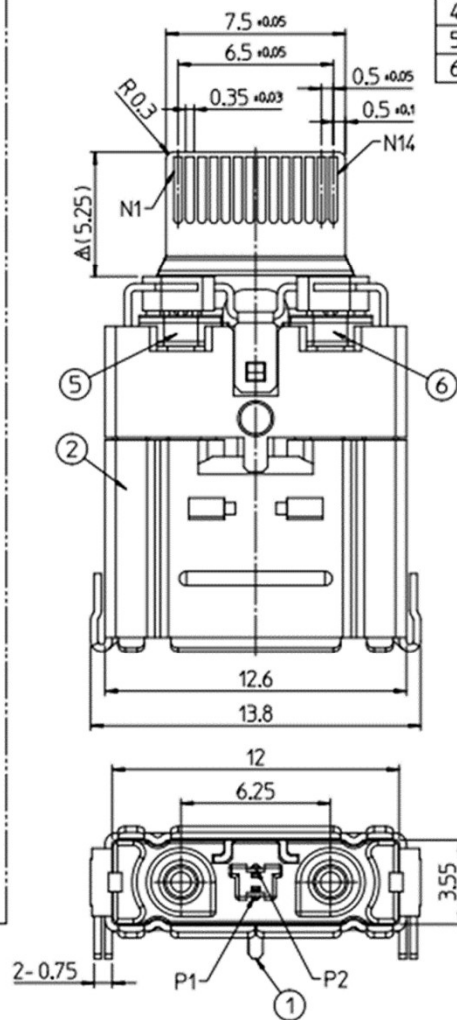


RECOMMENDED PWB LAYOUT  
(Tolerance:±0.05)



Panel with Screw Position (Option)

△ NOTES.  
1. Applied FPC Connector : Molex 503480-1400 or equivalent



No	DWG. No	品名 DESCRIPTION	数量 QTY	材質 MATERIAL	処理 FINISH	備考 REMARKS
1		Terminal	2	C5191	Ni under Au	
2		Shield case	1	SUS	Sn	
3		Insulator	1	PPS		茶色
4		FPC	1	PI		
5		Tx module	1			
6		Rx module	1			

Connector Pin assignments

Pin No.	Signal Name	Description
N1	Vcc	Tx Module ⑤
N2	GND.	
N3	TD-	
N4	GND.	
N5	TD+	Rx Module ⑥
N6	GND.	
N7	GND.	
N8	RSSI (NC)	
N9	GND.	OPTION
N10	RD+	
N11	GND.	
N12	RD-	
N13	GND.	
N14	Vcc	
P1	VBUS	
P2	GND.	